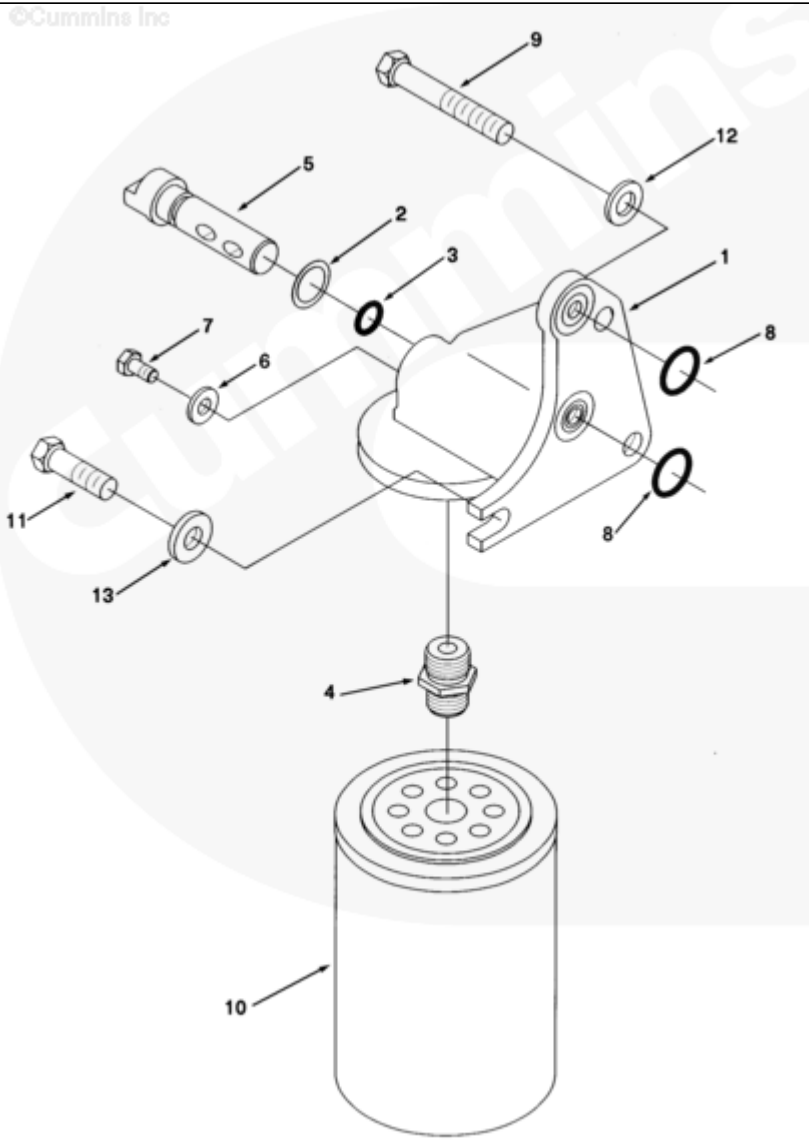




Parts Catalog - Option Detail

Electronic Parts Catalog - Option Detail				
Option	Group	Graphic	Film Card	Date
WF2031-04	08.08	wf200gs	II	11-MAY-04
Engines	ISM CM570, ISM CM570/870, ISM CM875, ISM CM876, ISM CM876 E, ISM11 CM876 M103, ISM11 CM876 SN, M11 CELECT, M11 CELECT PLUS, M11 MECHANICAL, QSM11 CM570, QSM11 CM876			



wf200gs

[SMALL](#) | [MEDIUM](#) | [LARGE](#)

Cart	Ref No	Part Number	Part Description	Required	Remarks
View My Cart					
		WF2031-04	Corrosion Resistor		

					Corrosion Resistor
					Supplier: Cummins
					Corrosion Resistor Location:
					Right Rear on Water Header
					Plate
					Element Type: Spin-On
					Element Quantity: Single
					Inhibitor Type: DCA4
					DCA4 Units: 15
					For Use with Cooling Systems
					When the OEM
					DOES NOT USE WITH a Factory
					Fill Coolant that Contains a
					Precharge Dose of SCA.
					Cooling Capacity Min Value:
					18.92 L (5 Gal)
					Cooling Capacity Max Value:
					37.85 L (10 Gal)
					Decal Provided: Fleetguard
<input type="checkbox"/>		3819767	Corrosion Resistor Head	1	
<input type="checkbox"/>	1	3818935	Corrosion Resistor Head	1	
<input type="checkbox"/>	2	3966716	O-Ring Seal	1	
<input type="checkbox"/>	3	205363	Spring Washer	1	
<input type="checkbox"/>	4	206963	Filter Head Adapter	1	
<input type="checkbox"/>	5	3818849	Shut-Off Valve Shaft	1	
<input type="checkbox"/>	6	3042327	Plain Washer	1	1/4 in.
<input type="checkbox"/>	7	3202049	Hexagon Head Cap Screw	1	M6 x 1.00 x 12
<input type="checkbox"/>	8	3328740	Rectangular Ring Seal	2	

<input type="checkbox"/>	9	3081345	Hexagon Head Cap Screw	1	M10 x 1.50 x 65
<input type="checkbox"/>	10	3100308	Corrosion Resistor	1	Buy from Cummins Filtration
<input type="checkbox"/>	11	3820988	Hexagon Head Cap Screw	2	M10 x 1.50 x 35
<input type="checkbox"/>	12	3009330	Plain Washer	1	M10.
<input type="checkbox"/>	13	108330	Plain Washer	2	3/8 in.
<input type="checkbox"/>		3826824	Decal	1	

© 2019 Cummins Inc., Box 3005, Columbus, IN 47202-3005 U.S.A.
Terms of Use and Disclaimers | Recommended System Requirements
Need Assistance? Please click on the Contact Us button in the top right corner of any page.